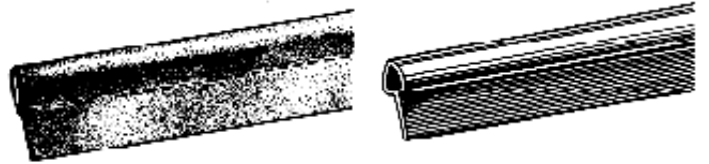
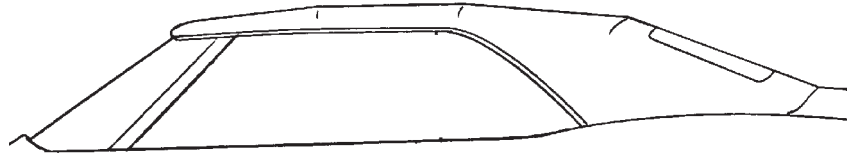


Convertible Tops & Boots (Group 13 & 14)

Convertible Tops (13.347)

Our convertible tops are designed and manufactured by a large company responsible for thousands of trophy winning classic cars in the past 15 years. *Each top is Custom made for authentic appearance and fit.* All seams are sewn with matching bond thread, dielectrically or latex sealed for long lasting water protection. Tops are guaranteed against defects for a full 54 months. All tops come with heavy duty clear vinyl window. A solid rear panel can also be ordered for installation of your framed glass window. Hardware also included. **When ordering,** keep in mind, the second color listed is the color inside the car. Please, No COD's on convertible tops.



HEAVY DUTY VINYL: Quality Sateen Back 32 ounce vinyl. Colors: Black/Black, Tan/Tan, White/Black, White/Tan, Brown/Black, Beige/Sliver Tan, Red/Black, Maroon/Black, Green/Green, Dark Green/Black, Buckskin/Black, Pale Blue/Black, Med Blue/Black, Dark Blue/Black
CT-360V32\$217.25 kit

DELUXE HEAVY DUTY VINYL: Superior Sateen Back 38 ounce durable vinyl. Available Colors: Black over Black, White over Black
CT-360V38\$265.00 kit

CONVERTIBLE TOP PAD KIT: For all convertible tops.
TP-360B.....Black\$41.25 kit
TP-360T.....Tan.....\$41.25 kit



1961-1975 Convertible Boots (13.450)
We have many patterns for Boots in stock. We can also reproduce a Boot from your old boot or pattern.
TB-400.....\$133.75 ea.

Convertible Well Liners (13.450)
We can supply a new well liner for any 1961-1976 convertible.
WL-400.....\$70.25 ea.

New Header Bows (14.050)

1971-1975 All. New tacking strip & windlace included
HB-715\$379.00 ea.

Header Strips - Tacking Strips (14.060)

1961-1975 Uncovered rubber header strip - 5".
HS-360.....\$17.50 ea.

1961-1975 White vinyl covered header strip - 5".
HS-540W.....\$21.00 ea.

1961-1975 Black vinyl covered header strip - 5".
HS-540B.....\$17.50 ea.



1961-1975 Convertible top front tacking strip. 5/8" x 1/8".
TSF-360.....\$2.75 foot

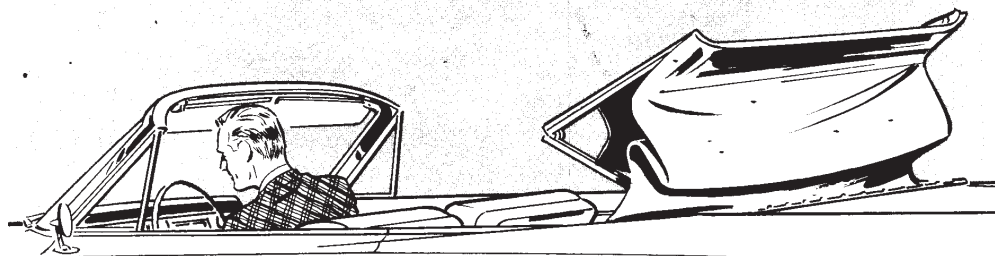
1961-1975 Convertible top rear tacking strip. 1/2" x 3/8".
TSR-360\$2.75 foot

Parade Boots Parts (13.450)

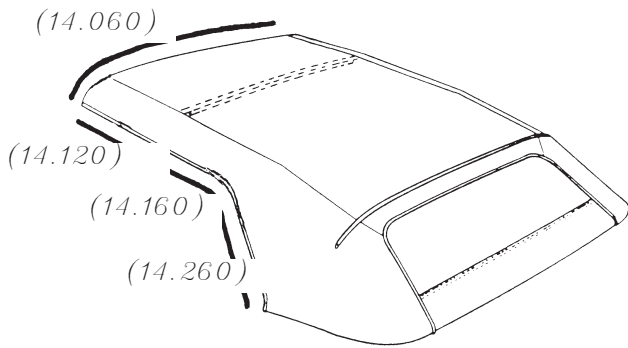
1971-1975 Parade boot storage bag. (13.450)
BB-715.....\$92.75 ea.

1971-1975 Hardware kit for parade boot.(13.450)
BH-715.....\$175.00 ea.

1971-1975 Parade boot. Finished both side. Includes Hardware.
PB-715\$758.00 ea.



Convertible Tops & Weatherstrip (Group 13 & 14)



Convertible Roof Rail Weatherstrips

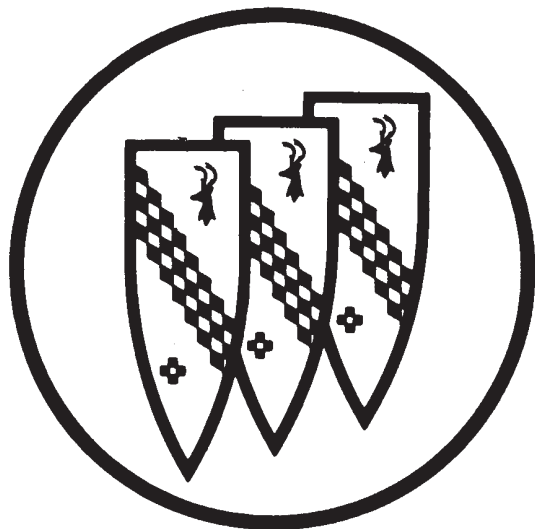
1961-1964 Electra convertible. 7 piece set. Includes Bow Seal
 RR-614CE\$226.25 set

1961-1964 LeSabre, Wildcat and Invicta convertible roof rail weatherstrip kit. Includes Bow Seal
 RR-614C.....\$222.50 set

1965-1970 Lesabre & Wildcat. 7 piece set, includes bow seal.
 RR-658C.....\$300.50 set

1965-1970 All Electra . Convertible roof rail weatherstrip set. Order Bow Seal Separately.
 RR-650C.....\$272.50 set

1971-1975 All. Convertible Roof Rail Weatherstrip set . 5piece set. Includes Bow Seal
 RR-716\$295.75 set



Pillar Post Seals

1961-1962 All convertibles. Pillar post seals.
 PS-612\$54.50 pr.

1963-1964All Convertibles. Pillar Post Seals.
 PS-634\$54.50 pr.

1965 LeSabre and Wildcat.
 PS-65\$83.50 pr.

1966-1968 All. Convertibles. Pillar Post Seals.
 PS-668\$85.25 pr.

1969-1970 All. Pillar post seals.
 PS-690\$56.75 pr.

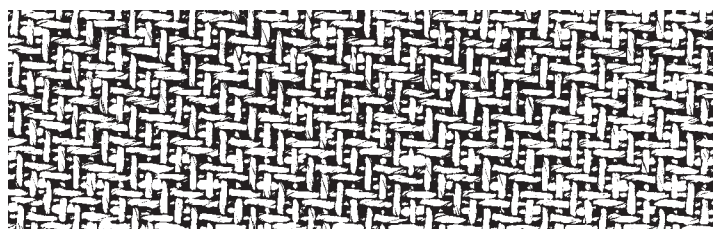
1971-1975 Convertible windshield. pillar post seals.
 PS-716\$72.25 pr.

Top Bow Seals (14.060)

1964-1970 Convertible top bow to windshield seal.
 BS-640.....\$25.75 ea.

1966-1970 Convertible top bow seal with steel core.
 BS-660.....\$56.25 ea.

1971-1975 Header bow seal.
 BS-715.....\$86.50 ea.



Package Shelf Material

Woven Straw material duplicates Texture and Appearance of the original. Comes in 18" X 64" Roll. Can be applied to Hardboard with Spray Adhesive, then trimmed to fit. Paint to match. Fits all models as required.

PS-300\$59.00 ea.

Convertible Top Motors, Pumps Hardware (Group 13)

Motors/Pumps/Actuator



- 1961-1963** Convertible top motor pump.
TP-553\$265.00 ea.
- 1964** All. Convertible top motor pump.
TP-645.....\$225.00 ea.
- 1965-1970** Convertible top motor pump.
TP-650\$225.00 ea.
- 1971-1976** Convertible top motor.
TM-715\$265.00 ea.



- 1961-1970** Top Pump Mounts.
PM-531\$1.25 ea.



Convertible Top Cylinders

1961-1990 Convertible Top Cylinders.

Absolutely the Best obtainable. Made with Teflon "Square" seals instead of rubber "O" pump. Five (5) year warranty. Always in ATF. TIP! Always lubricate the shafts and seals with ATF after winter storage.

- TC-460.....\$138.00 ea.

Top Frame Parts

- 1971-1975** Bushing set. Six bronze and six steel. For top frame.
TFB-715\$69.75 set
- 1971-1975** Second bow ball joints - 10".
TBJ-715.....\$112.25 pr.
- 1971-1975** Header bow guide pins.
TBP-715\$17.50 pr.

Top Switches - Relays

- 1971-1975** Convertible top relay.
TR-715\$49.95 ea.
- 1971-1975** Universal top switch. Three prongs.
TS-715.....\$20.25 ea.

Top Gears (14.478)

- 1971-1975** Convertible top motor gears.
TMG-715.....\$180.25 ea.
- 1971-1975** Convertible top motor gear reduction unit.
TMR-715\$344.50 ea.
- 1971-1975** Convertible top motor, less gears.
TM-715\$255.00 ea.
- 1971-1975** Actuator small gear. Press out your old and replace.
TAG-715.....\$50.50 ea.
- 1971-1975** Actuator worm gear with plastic guides.
TWG-715.....\$73.00 ea.

Convertible Top Latch Assembly

- 1961-1964** All (Complete Assembly).
TL-614A.....Left Hand & Right Hand\$349.50 pr.

Latches and Hooks (14.080)

- 1971-1975** Convertible top latch. Right hand side.
TL-715R.....\$148.75 ea.
- 1971-1975** Convertible top latch. Left hand side.
TL-715L.....\$148.75 ea.
- 1965-1972** Convertible top latch. Chrome hook.
TH-642.....\$9.00 ea.

Top Cables



- 1961-1964** LeSabre and Wildcat convertible top cables.
TC-614B.....\$43.50 pr.
- 1961-1964** Electra convertible top cables.
TC-614C.....\$45.75 pr.
- 1965-1970** Lesabre and Wildcat convertible top cables.

- TC-650B\$36.25 pr.
- 1965-1970** Electra convertible top cables.
TC-650C\$36.25 pr.
- 1972-1975** Holddown tension cables.
TC-726.....\$36.25 pr.
- 1971-1975** Convertible top drive cable. Left hand side.
TDC-715L\$74.50 ea.
- 1971-1975** Convertible top drive cable. Right hand side.
TDC-715R.....\$74.50 ea.



Silicon Brake Fluid

- All Years** - Silicone brake fluid.
SF-360\$49.50 gallon

Top Window Rubber Hoses



- Individual hoses are available for all applications. These replacement hoses do not look authentic, but they will function as original.
- CH-460.....\$41.25 ea.

Hose Sets

- 1961-1976** All.
CHS-562.....\$107.00 set

Hold Down Tension Cable

- 1971** Hold down tension cable.
TC-71\$49.00 pr.