

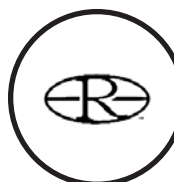
Wheels (Group 5)



Chrome Wheel Center Caps and Parts



1964-1965 Wheel Cap Assembly for Wheels with 2" hole
 WC-645R\$35.00 ea.
 WP-645R.....(Plastic Medallion only)....\$17.50



1971-1981 Mag Wheel Center Cap Assembly with "R" Emblem. For Wheels with 2" hole.
 WC-714R\$35.00 ea.

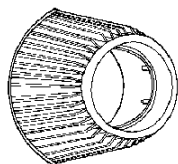


1971-1981 Mag Wheel Center Cap Assembly with "R" Emblem. For Wheels w/ 2 1/8"hole.
 WC-714RB.....\$35.00 ea.

1964-1965 Wheel Cap Assembly for Wheels w/ 2 1/8" hole
 WC-645RB.....\$35.00 ea.
 WP-645R.....(Plastic Medallion only)....\$17.50



Solid Stainless Steel Wheel Nuts

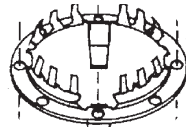


1966-1970 Chrome center mag wheel caps. Beautiful Die Cast Chrome.
 WC-660\$27.50 ea.



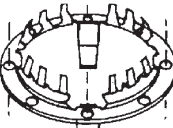
1965-1972 We have reproduced these hard-to-find nuts to look identical to the originals. Of course they are far superior to the originals as they will never rust and feature the durability and strength of stainless steel. 1/2" - 20
 WN-635.....\$6.00 ea.
 WN-635S.....(Set of 20).....\$95.00 set

1966-1970 Mag wheel chrome cap retainer for wheels with 2 1/8" hole.
 WCR-650.....\$5.00 ea.



Chrome Wheel Nuts (stainless steel capped replacements)

1966-1970 Mag wheel chrome cap retainer for wheels with 2" hole.
 WCR-650S.....\$5.00 ea.



1964-1981 Wheel nuts (1/2-20. Chrome capped).
 1964-1975: All;
 WN-641\$2.25 ea.



1966-1970 Riviera wheel cap plastic.
 WP-660R\$15.00 ea.



1976-1981 7/16-20 wheel nuts.
 1976-1981: All.
 WN-691\$2.50 ea.

Propeller Shaft (Group 5)

Driveshaft Parts

1963 Driveshaft center bearing rubber support (exchange item).
BS-63R.....\$91.50 ea.



1963-1971 All. Driveshaft center bearing.
DSB-611.....\$36.00 ea.

1964-1970 Driveshaft center bearing rubber support. Sold outright
BS-619.....\$87.50 ea.



Universal Joints

1963-1978 All w/o CV-joint. All as required.
UJ-574.....\$19.50 ea.

1963-1978 For Cars with CV-Joints where center is recessed for clearance. 1 needed for each cv-joint
UJ-574A.....\$19.50 ea.

Constant Velocity Repair Kits

1966-1968 All.
CVK-668\$43.50 ea.

1963-1970 Without ball.
1963-1965: All;
1969-1970: Saginaw.
CVK-610\$54.50 ea.

1971-1973 All rear. Without ball.
CVK-713\$21.50 ea.

1971-1976 All rear. Includes ball.
CVK-716\$46.75 ea.

Brake Drums (5.809)

Cast Iron replacements.

(When replacing aluminum front drums - purchase in pairs.)

Front

1963-1965 Riviera
BD-420\$94.50 ea.

1966-1967 Riviera
BD-667\$94.50 ea.

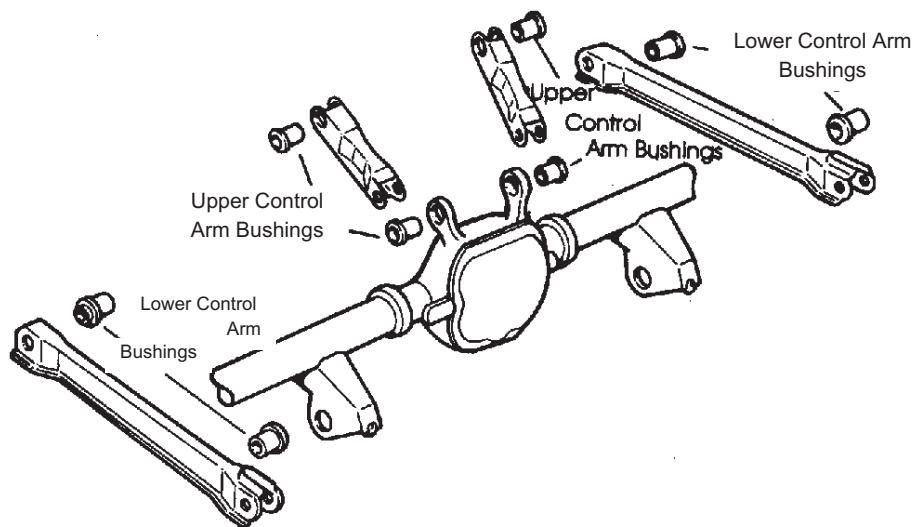
1968-1970 Riviera.
BD-680\$94.50 ea.

Rear

1961-1964 Riviera
BD-614\$94.50 ea.

1965-1970 Riviera
BD-650R.....\$94.50 ea.

Rear Axle (Group 5)



Rear Axle Parts



1963-1970 Rear axle radius rod bushing.
Two per car.
RRB-600\$39.00 set



Rear Axle Posi Traction Tag

All Models.
PT-635.....\$4.50 ea.

Rear Axle Oil Seal (5.822)

1963-1970 All.
OS-630\$8.25 ea.

1971-1976 all with 8.5" ring gear & 2 7/8" seal.
OS-716.....\$18.25 ea.

Rear Axle Control Arm Bushings

1963-1965 All. Four pair needed per car.
RAB-635R\$49.00 pr.
RAB-635RS.....(Set of 4 pair)\$175.00 set

1966-1970 All. Four pair needed per car.
RAB-652\$27.50 pr.
RAB-652S.....(Set of 4 pair)\$100.00 set

1971-1978 All upper. Two pair needed per car.
RAB-716U\$28.50 pr.

1971-1978 All Lower. Two pair needed per car.
RAB-716L.....\$38.50 pr.

Rear Wheel Bearings (5.855)

1963-1967 All.
RWB-637\$49.50 ea.

1968-1970 All.
RWB-680\$49.50 ea.

1971-1975
1971-1972: All;
1973-1975: With 9 3/8" ring gear.
RWB-696\$31.50 ea.

Pinion Seals (5.445)

1963 thru 1970 all
PS-630.....\$17.50 ea.

Rear Axle Cover Gaskets

1963-1965 All. (Carrier)
RCG-560\$8.25 ea.

1966-1970 All. (Cover)
RAG-660.....\$7.50 ea.

1971-1975 All. (Cover)
RAG-715.....\$8.25 ea.

Rear Axle Backing Plate Gaskets (5.819)



1963-1967 All.
AG-562\$4.00 ea.